



1813 "E" Avenue • P.O. Box 5057 • Sioux Falls, SD 57117-5057 • (605) 338-AERO

Service Letter #102

October 16, 1987

Dear Aerostar Owner:

Our records indicate that you purchased a Aerostar Hot Air Balloon system with the new 15 gallon stainless steel tanks.

We have had some indications that the tanks can create some unnecessary wear on the floor of this basket. A teflon pad has been developed to be installed to prevent any wear on the floor.

Enclosed are pads, the necessary hardware and instructions for installation. This installation is considered to be preventive maintenance and can be done by the owner. A simple log book entry saying the pads have been installed should be made.

If you have any questions, please feel free to contact me

Sincerely,

AEROSTAR INTERNATIONAL, INC.

*Dee M. Rose*

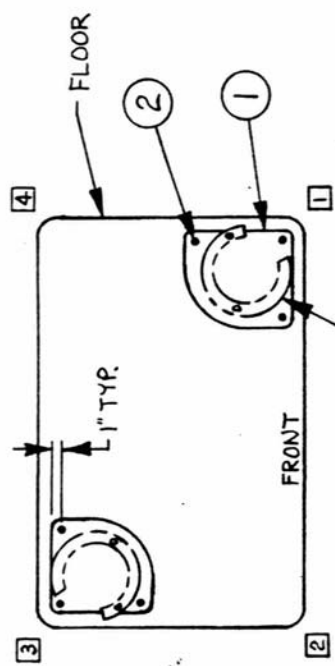
Dee M. Rose  
Customer Service Representative

DMR/vs

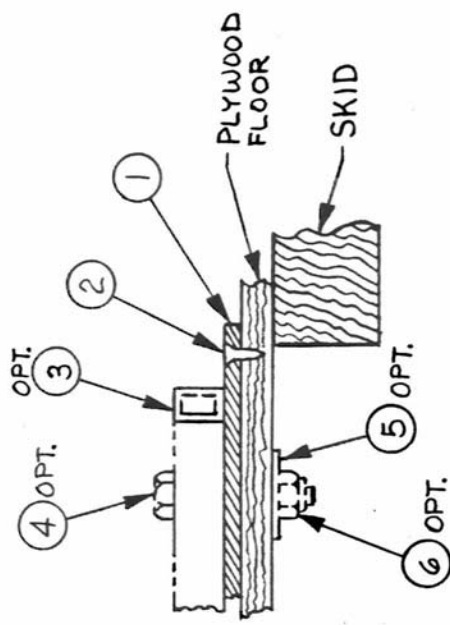
LTR.	DESCRIPTION	DATE	APPR.
A	ECO # 82130	7/22/87	[CA]

NOTES:

- FOR SYSTEM WITH TWO 15 GAL. TANKS, MARK INSTALL TANK PADS IN CORNERS □ & □. EACH ADDITIONAL TANK REQUIRES INSTALLATION OF ADDITIONAL TANK PAD.
- CENTER PADS UNDER TANKS, MARK FLOOR & REMOVE TANKS FROM GONDOLA (SHORT SIDE OF PAD ALONG LONG SIDE OF FLOOR). DRILL 3/32" DIA. PILOT HOLES THRU PAD & INTO FLOOR (NOT THRU) IN 3 CORNERS AS SHOWN. SCREW PAD TIGHT AGAINST FLOOR.
- WHEN DRILLING HOLES FOR LOCATOR OPT. DO NOT DRILL THRU LOWER FRAME TUBE.



\* 3 OPT. (FOR 15 GAL. TANKS ONLY)



QTY	DESCRIPTION	ITEM NO.
4(OPT)	1/4" NUT #B-51015-10	6
4(OPT)	1/4" FENDER WASHER #B-51017-32	5
4(OPT)	1/4" BOLT #B-51013-25	4
2(OPT)	RING, TANK LOCATOR #C-52136-1	3
6	#B WOOD SCREW #51014-22 OR -23	2
2	PAD, TANK #C-52136-5	1

**AEROSTAR™** INTERNATIONAL, INC.  
SIOUX FALLS, SOUTH DAKOTA

TITLE TANK PAD INSTALLATION  
(2 TANK SYSTEM SHOWN)

CK. <b>RMA</b>	DATE: 7-2-87	SIZE	DRAWING NO.
DR. <b>RMA</b>	DATE: 6-25-87	<b>A</b>	<b>A-52229</b>
SCALE	NONE	WT.	SHEET

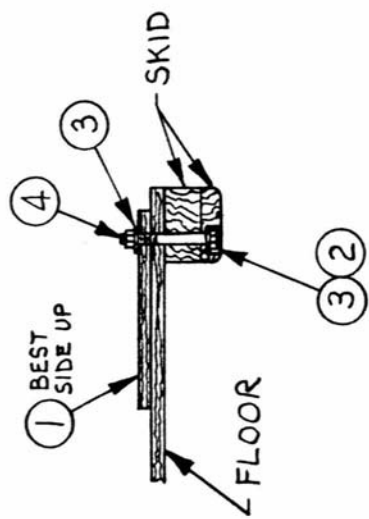
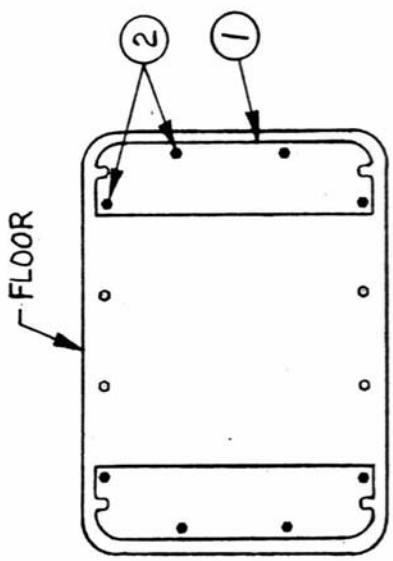
RW & RWS GONDOLAS

DIST. BDLN 8

LTR.	DESCRIPTION	DATE	APPK.
A	ECO #82131	7-2-87	L47

**NOTES:**

1. REMOVE TANKS FROM GONDOLA.
2. LAY GONDOLA ON IT'S SIDE REMOVE 4 INSIDE BOLTS ON BOTH ENDS OF FLOOR.
3. CENTER FLOOR REINFORCING IN BOTH ENDS & DRILL HOLES (8) FROM BOTTOM WHILE HOLDING FLOOR REINFORCING IN-PLACE.
4. BOLT IN-PLACE USING NEW HARDWARE. AS SHOWN IN CROSS SECTION. ITEMS 3 AND 4 MAY BE RE-USED IF NOT WORN.



QTY	DESCRIPTION	ITEM NO.
8	NUT # 51015-10	4
16	WASHER #51017-02	3
8	BOLT # 51013-85	2
2	TW FLOOR REINFORCING #C-52226-2	1

**AEROSTAR™** INTERNATIONAL, INC.  
SIOUX FALLS, SOUTH DAKOTA

TITLE TANK PAD INSTALLATION  
(TW GONDOLA)

SIZE	DRAWING NO.
A	A-52231
SCALE	WT.
NONE	SHEET

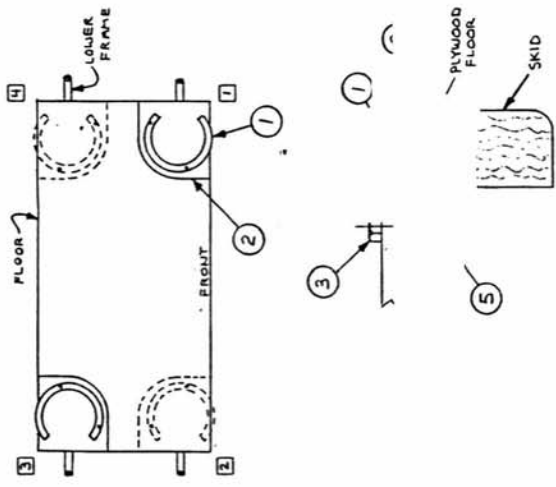
CHK.	DATE:
DR.	7/8/87
PR.	DATE:
BOUC	7/7/87

DIST. BDN 7

B-52152

REVISIONS		DATE	APPROVED
LTR	DESCRIPTION		
ORIG			

- NOTES:**
1. THE USE OF A TANK PAD AND A LOCATOR IS REQUIRED FOR EACH 15 GAL TANK. TANK PADS WITHOUT LOCATORS ARE OPTIONAL FOR 10 GAL TANKS.
  2. LOCATE LONG SIDE OF PAD ON LONG SIDE OF FLOOR, AND EDGE OF PAD EVEN WITH EDGE OF SKID. USE 17/64 DRILL FOR 1/4" BOLTS. AN ADDITIONAL 1/4 PLAIN WASHER (51011-02) MAY BE USED BETWEEN NUT AND FENDER WASHER IN CASE OF INSUFFICIENT BOLT THREADS. LOCATOR AND PAD MUST BE TIGHT AGAINST FLOOR.
  3. USE THREE FLAT HEAD WOOD SCREWS, AT LEAST 3/4" FROM EDGE OF PAD, TO SECURE PAD USED WITHOUT LOCATOR. USE DRILLED PAD (C-52136-2) WITH LOCATOR, OTHERWISE USE UNDRILLED PAD (C-52136-4).



QTY	DESCRIPTION	PART NO.	NOTE	ITEM NO.
3	#8 x 5/8 FL HD SCR	B-51014-22	SEE NOTE 3.	6
2	1/4 FENDER WASHER	B-51017-32		5
2	1/4 NUT	B-51015-10		4
2		B-51013-25		3
1	TANK PAD, DRILLED	C-52136-2	SEE NOTE 4.	2
1	LOCATOR	C-52136-1		1

QUANTITY FOR ONE TANK	DESCRIPTION	PART NO.	NOTE	ITEM NO.
1	LOCATOR	C-52136-1		1

DRAWN	7-7-71	INTERNATIONAL INC
CHECKED	7-1-71	SIoux FALLS SOUTH DAKOTA
PROJ ENG	KSW	
UNLESS OTHERWISE SPECIFIED		
DIMENSIONS ARE IN INCHES		
TWO PLACE DECIMALS IS .00		
FRACTIONS ARE 16ths		
ANGLES 16ths		
AWT 1004 700 011		
DATE		
NOTED		
BY		
DO NOT SCALE DRAWING		

D-51620	06-12-91	
D-15325		
NEXT ASSY	USED ON	
APPLICATION		

**AEROSTAR** INTERNATIONAL INC  
SIoux FALLS SOUTH DAKOTA

TITLE: INSTALLATION, TANK PAD & LOCATOR  
CW-V & CW-S

SIZE: B  
DRAWING NO: B-52152

SCALE: NOT-SE  
WT: —  
SHEET: —