

RAVEN[®]

industries, inc.

SERVICE BULLETIN 117

25 June 1984

SUBJECT CW-S Classic Stretch Baskets

APPLICABILITY Raven Basket Serial Nos. CWS 101-156, except 122, 136, 144 and 145.

PROBLEM Possible breakage of vertical canes directly below step at skid interface.

CORRECTIVE ACTION Install enclosed reinforcement plates and associated hardware as shown in Figures 1, 2 and 3 (taken from Raven Drawing No. D-51885).

The owner may perform the installation as preventive maintenance. (See FAR 43, App.A(C)(12) which defines preventive maintenance as "small repairs to fairings, nonstructural cover plates, cowlings, small patches and reinforcements not changing the contour so as to interfere with proper airflow.") Once the installation is complete, the following logbook entry **MUST** be made: "Preventive maintenance was performed on the basket to install reinforcement plates in accordance with Raven Service Bulletin 117. The system is returned to service. (Pilot certificate number, type, signature, date)" Please return the enclosed card to Raven to verify that the retrofit has been completed.

This retrofit should be accomplished as quickly as possible to prevent possible breakage of the affected wicker (which could make the balloon basket unairworthy).

DISCUSSION Several field failures have occurred in extremely hot and dry climates. The failures were caused by repeated flexing, shear loading and the dry condition of the wicker. Although keeping the wicker moist **COULD POSSIBLY** prevent such a failure, adding the above reinforcing plates will limit flexing, distribute the load better and eliminate shear.

PROCEDURE Step 1: Cut leather lace which attaches scuff at lower edge near skid at middle of basket. Unlace approximately 10 inches total (see Figure 1).

Step 2: Lift leather scuff and slide stainless plate and rubber buffer under. Position as shown by dotted line area and slide upward to provide snug fit against wicker (see Figure 2).

Step 3: Clamp plate in place and drill four E size holes (.25). Assemble bolt and hardware as shown in Figure 3.

Step 4: Replace scuff pad and re-lace leather through item 6. Splice in item 8 at each side of plate with square knot and safety knots.

Step 5: Repeat on opposite side.

NOTE 1: Adhesive (item 7) is used to attach item 2 to curved portion of item 1, allowing one inch overlap on sides and top.

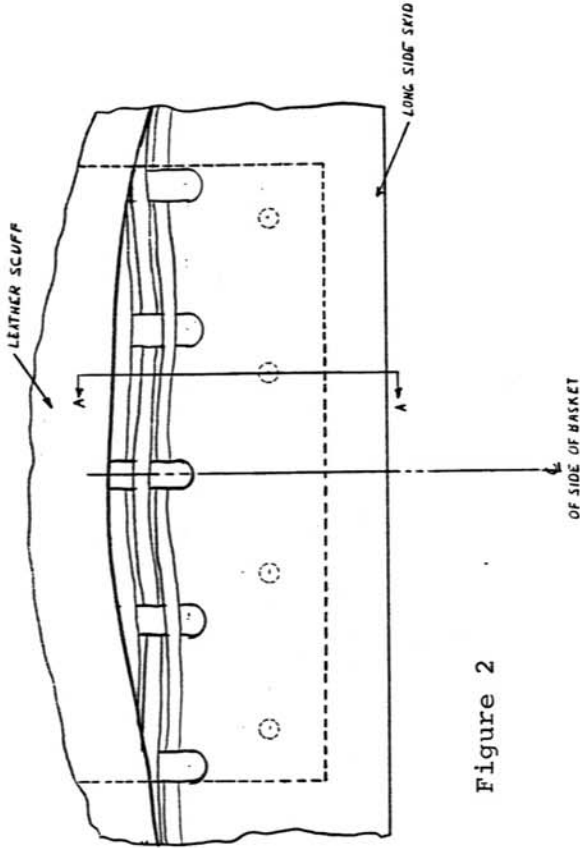


Figure 1

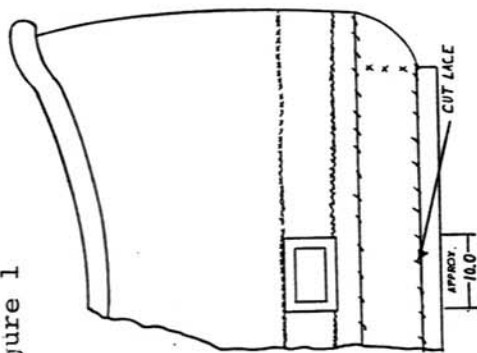


Figure 2

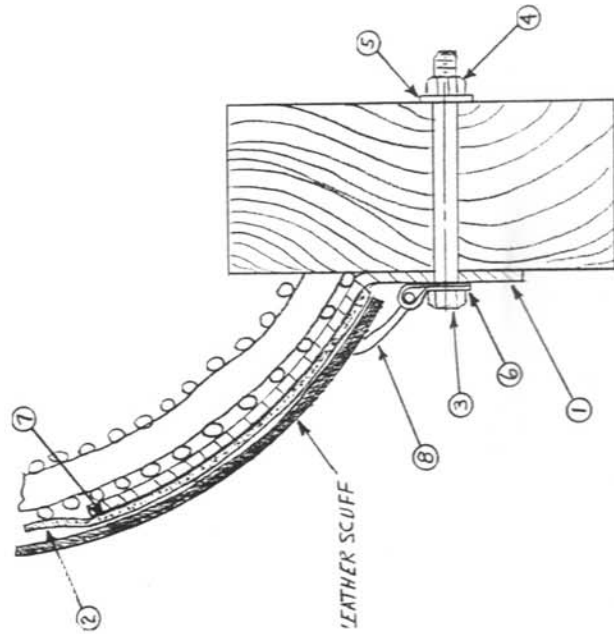


Figure 3

2'	LEATHER LACING #100	B-51006-03	8
AR	FORMICA 100 ADHESIVE	B-51008-04	NOTE 1
8	HOSE CLAMP 3/8"	B-51031-23	6
8	WASHER 1/4 PLAIN PLATED	B-51017-02	5
8	NUT 1/4-28	B-51015-17	4
8	AIRCRAFT BOLT, AN4-22	B-51013-25	3
2	RUBBER BUFFER	B-51003-29	2
2	REINFORCING PLATE	C-51884	1

SECTION A-A