

***Parts***

**AUTHORITY**

125 Redwood Circle, Fayetteville, Georgia 30214 770.719.9492  
FAA Parts Manufacturing Authority PQ4173CE

***“Your Source for Aerostar PMA Parts”***

# AEROSTAR PARTS MANUAL

*(Parts Subject to Availability)*

GONDOLA  
MODEL “RW”  
Aerostar P/N 14530

| PART NUMBER   | DESCRIPTION                                | UNITS      |
|---------------|--|------------|
| ARP11127 - 8  | STRAP, RW H-20                             | OBSOLETE   |
| ARP11127 - 9  | STRAP, RW H-20 W/BUCKLE                    | OBSOLETE   |
| ARP12575      | BRACE, RW                                  | OBSOLETE   |
| ARP12576      | SUPPORT TUBE ASSY RW                       | OBSOLETE   |
| ARP14364      | HANDLE, GONDOLA                            | EA.        |
| ARP14418 - 1  | COVER, SUEDE LEATHER FLAP SUPPORT TUBE RW  | OBSOLETE   |
| ARP14418 - 2  | COVER, SMOOTH LEATHER FLAP SUPPORT TUBE RW | OBSOLETE   |
| ARP14419 - 1  | COVER, SUEDE LEATHER SUPPORT TUBE RW       | OBSOLETE   |
| ARP14419 - 2  | COVER, SMOOTH LEATHER SUPPORT TUBE RW      | OBSOLETE   |
| ARP14684      | FRAME, CORNER RW                           | OBSOLETE   |
| ARP14971 - 3  | SPRING, EXTENSION LEE LE-069F-6S           | EA.        |
| ARP16474      | EYEBOLT, SLOTTED                           | EA.        |
| ARP50000 - 7  | RW FLOOR STIFFENER                         | OBSOLETE   |
| ARP50000 - 8  | SKID, SUBSTRATE, SHORT, RW                 | OBSOLETE   |
| ARP50000 - 9  | SKID, SUBSTRATE, LONG, RW                  | OBSOLETE   |
| ARP50000 - 10 | SKID, LONG, RW                             | OBSOLETE   |
| ARP50000 - 11 | SKID, SHORT, RW                            | OBSOLETE   |
| ARP51003 - 1  | FOAM, THERMAL CELL NOMACO C78A             | FT.        |
| ARP51006 - 3  | INDIAN TAN LACING                          | FT.        |
| ARP51007 - 1  | ROPE, 5/16 BADGER 3 STRAND TAN POLY        | FT.        |
| ARP51007 - 2  | WICKER, 18-MM ROUND REED                   | 5 LB. MIN. |
| ARP51007 - 4  | WICKER, 4-7 MM NATURAL KOOBOO RATAN        | 5 LB. MIN. |
| ARP51011 - 19 | QUICK RELEASE PIN BLS3B168                 | EA.        |
| ARP51012 - 5  | POP RIVET AD42BS                           | EA.        |
| ARP51013 - 3  | BOLT, AIRCRAFT AN3-15A                     | EA.        |
| ARP51013 - 4  | BOLT, AIRCRAFT AN3-14A                     | EA.        |
| ARP51013 - 40 | SCREW, 10-32 X 1 1/2 HEX HEAD SS           | EA.        |
| ARP51013 - 81 | AIRCRAFT BOLT AN4-24A                      | EA.        |
| ARP51015 - 1  | NUT, MS20365-1032A 10-32                   | EA.        |
| ARP51015 - 17 | NUT, MS20365-428C 1/4-28                   | EA.        |
| ARP51015 - 20 | NUT, HEX 1/4-20                            | OBSOLETE   |
| ARP51016 - 5  | RIVNUT, 10-32                              | OBSOLETE   |
| ARP51017 - 2  | WASHER, 1/4 PLN PLATED STL                 | EA.        |
| ARP51017 - 6  | WASHER, #10 LARGE, AN970-3                 | OBSOLETE   |
| ARP51017 - 7  | WASHER, #8                                 | OBSOLETE   |
| ARP51017 - 15 | WASHER, SS MS15795-841                     | EA.        |
| ARP51017 - 18 | WASHER, 5/16 CAD PLATED                    | EA.        |
| ARP51019 - 1  | U-BOLT, 3/8 X 2 X 2 SPECIAL                | EA.        |
| ARP51019 - 3  | BOLT, CARRIAGE 1/4-20 X 2                  | EA.        |
| ARP51031 - 11 | CLAMP, HOSE SUPPORT (DOUBLE)               | OBSOLETE   |
| ARP51093 - 1  | BAG, ACCESSORY SUEDE                       | EA.        |
| ARP51093 - 2  | BAG, ACCESSORY SMOOTH                      | EA.        |
| ARP51093 - 3  | BAG, ACCESSORY CORDURA                     | EA.        |
| ARP51115      | TIE WRAP WITH SNAP                         | OBSOLETE   |
| ARP51130 - 35 | COVER, SMOOTH LEATHER RW UPRIGHTS COMPLETE | OBSOLETE   |
| ARP51132 - 5  | COVER, SIDE RAIL, RW, SUEDE                | OBSOLETE   |
| ARP51132 - 6  | COVER, SIDE RAIL, RW, CORDURA              | OBSOLETE   |
| ARP51132 - 24 | COVER, SIDE RAIL, RW, SMOOTH               | OBSOLETE   |
| ARP52161      | RETAINER TAB ONLY                          | EA.        |
| ARP52163      | QUICK RELEASE PIN WITH RETAINER            | EA.        |
| ARP52249      | FIRE EXTINGUISHER POUCH                    | EA.        |
| ARP52287      | STRAP ASSEMBLY, 10 GAL TANK                | EA.        |
| ARP52406 - 1  | SKID GUARD, POLY LONG RW                   | EA.        |
| ARP52406 - 2  | SKID GUARD, POLY SHORT RW                  | EA.        |

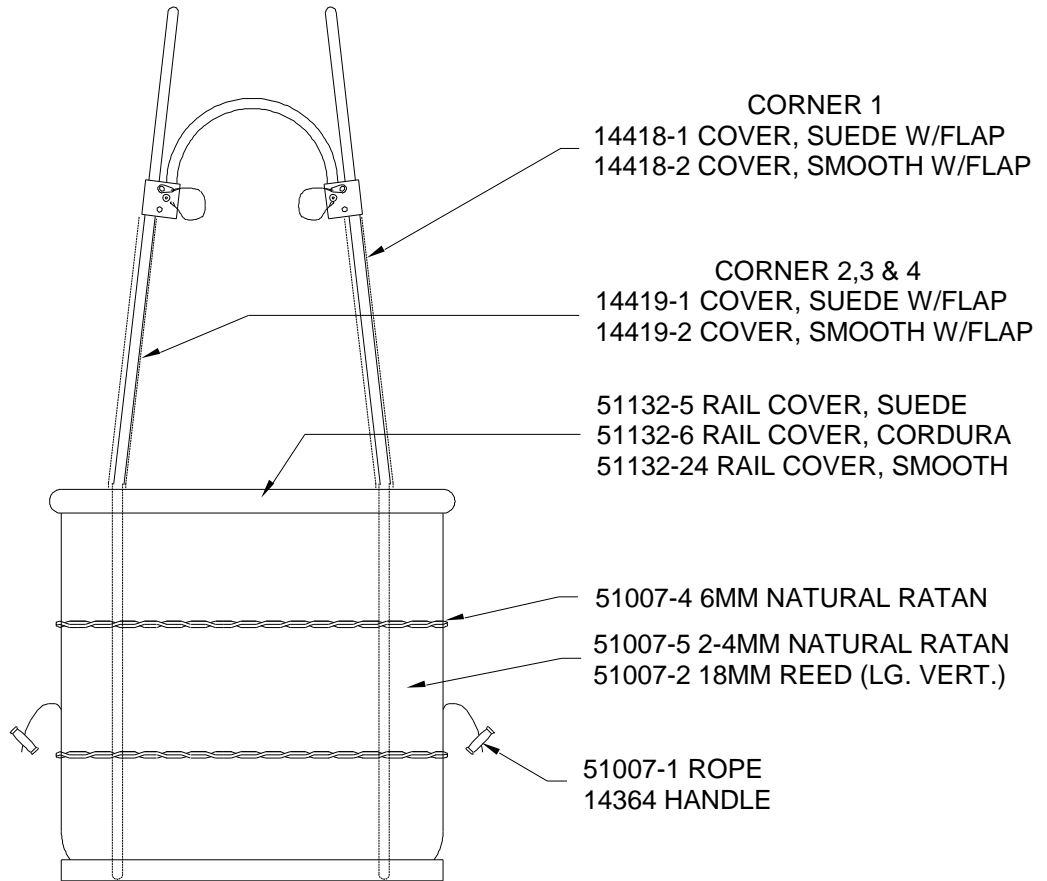


Figure RW1

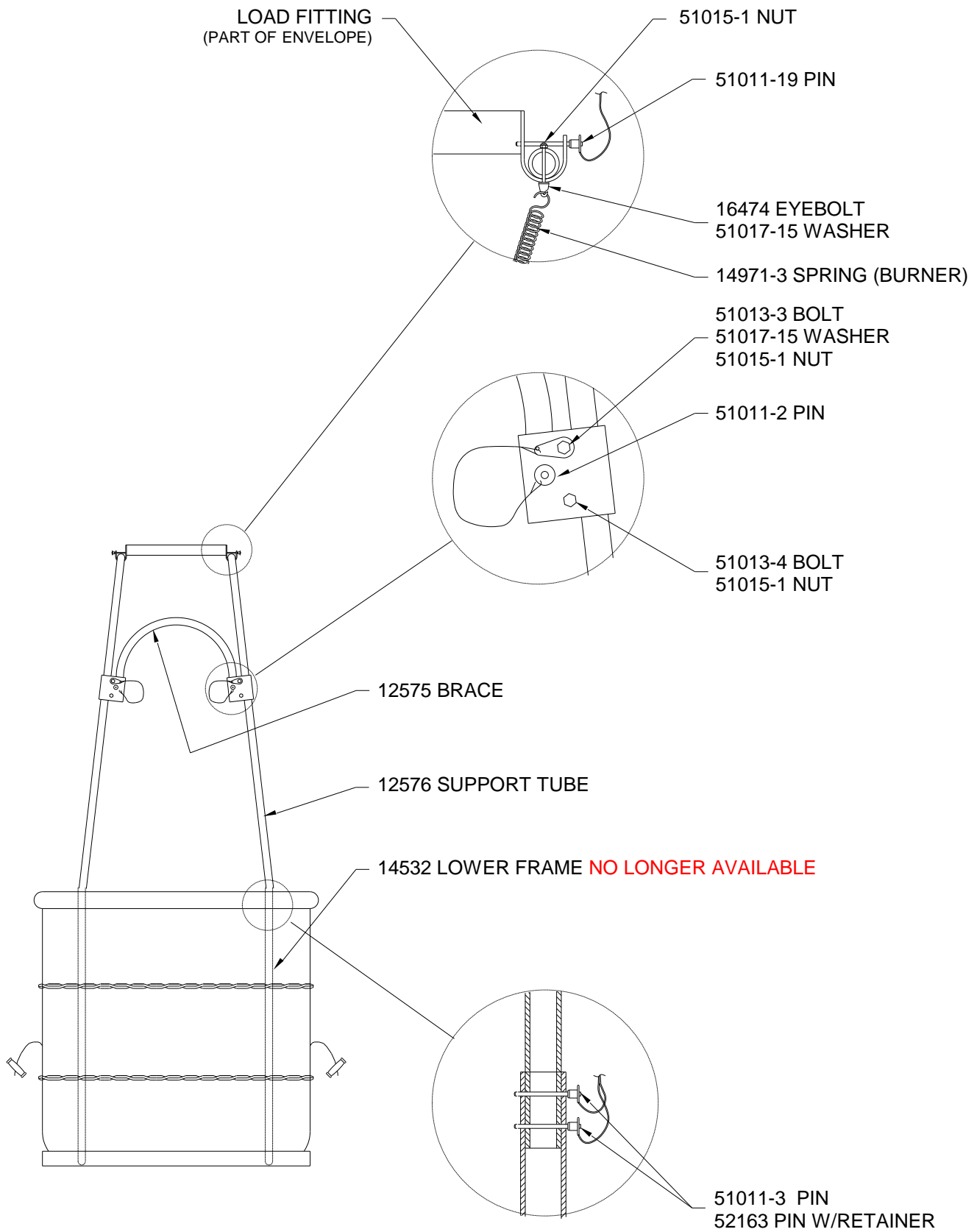


Figure RW2

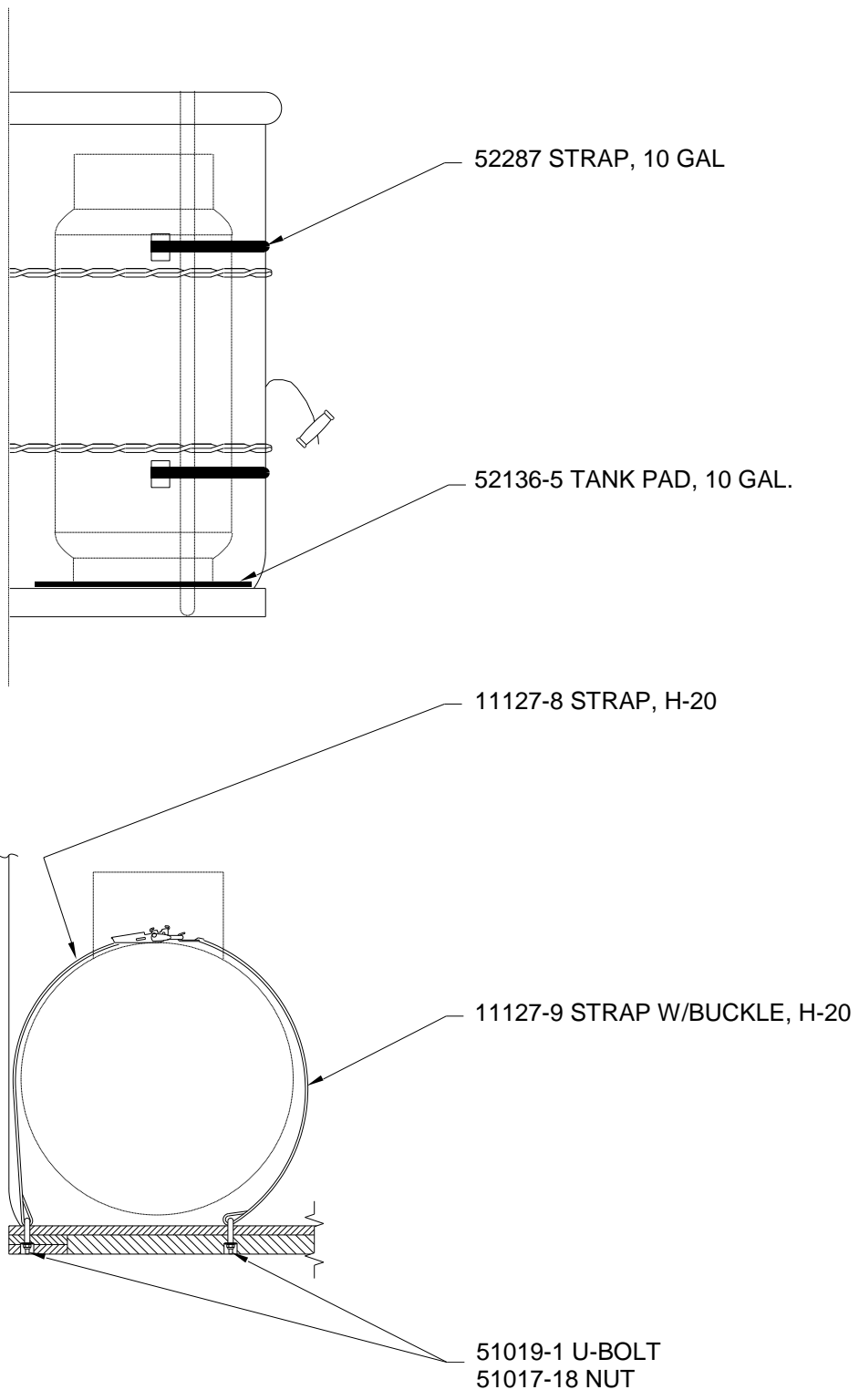


Figure RW3

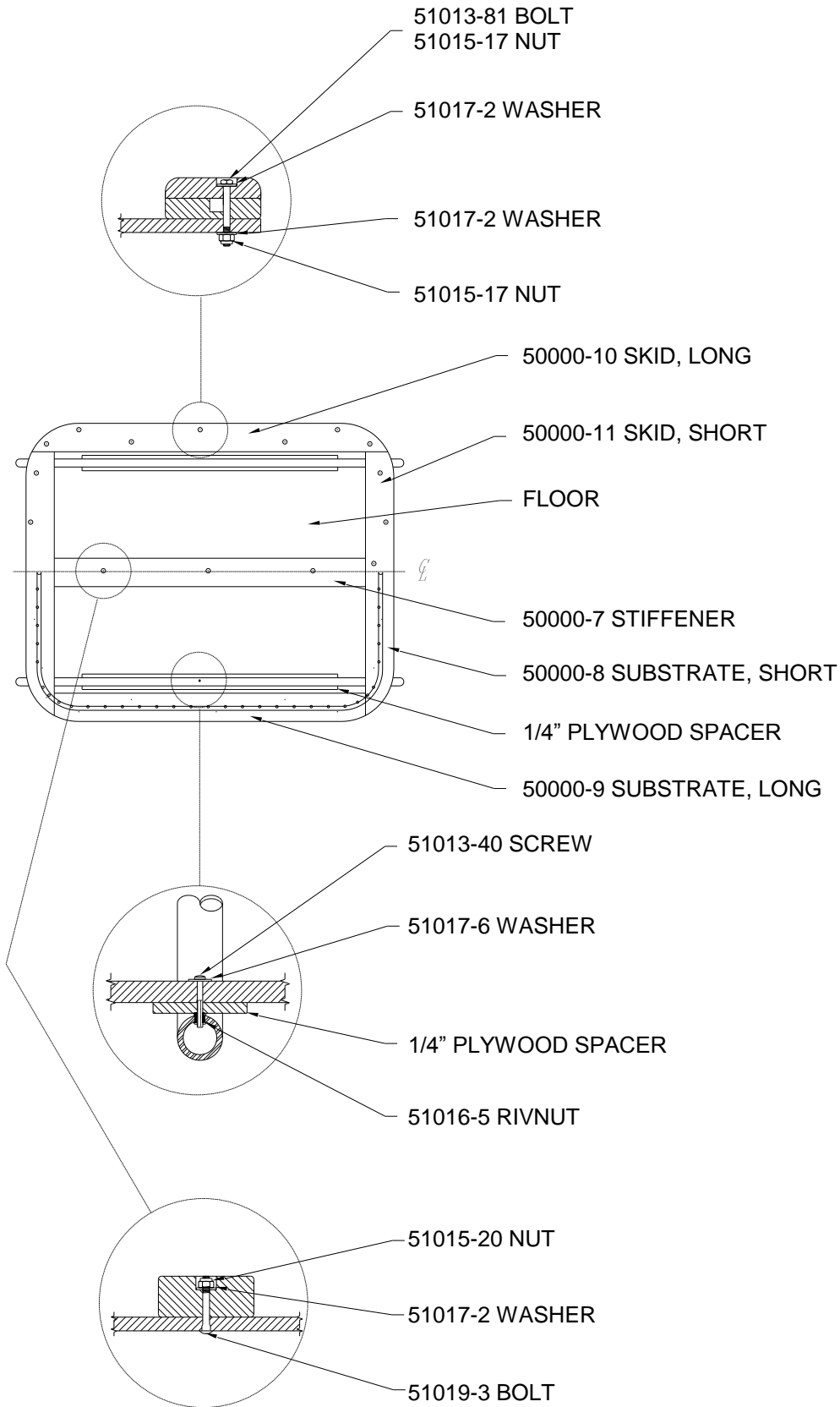


Figure RW4